

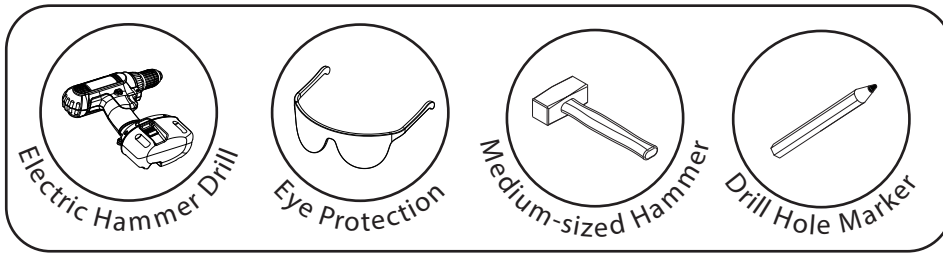


# Torc Mega/Maxi for Brickwork - Fitting Overview

Aimed at **experienced/professional installers**

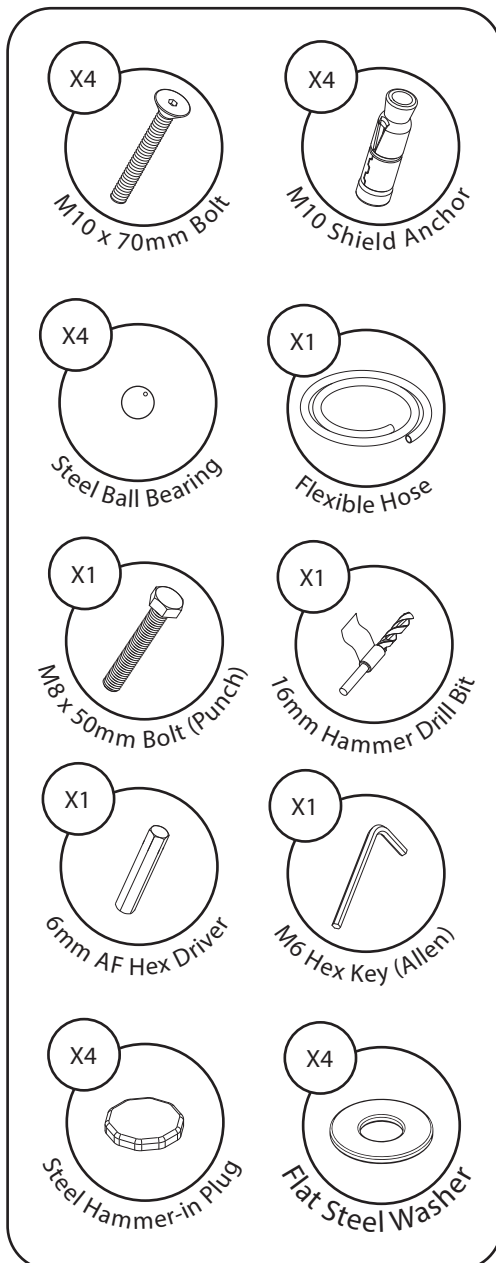
If less familiar with this installation, detailed instructions can be requested from your supplier.

## Required tools



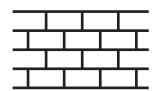
Must be used with an appropriately fitted Sold Secure approved lock and chain.

## Included Parts

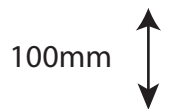


## Choosing a Surface

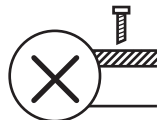
Concrete is stronger than brick.  
Brick is stronger than block. We provide other fitting kits for other substrates.



Minimum wall thickness is 100mm.

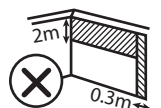


Do not fit the anchor to plaster or other soft surfaces, even if there is brick below.



## Choosing a Location

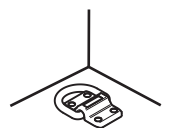
Do not fit the anchor within 2.0m (6 feet) of a top edge of a wall or within 0.3m (1 foot) from a wall's end.



Check location is clear of pipes, cables, etc. We suggest using a pipe/cable detector.



Placing it near a corner or somewhere that restricts access to the anchor makes it harder for criminals.

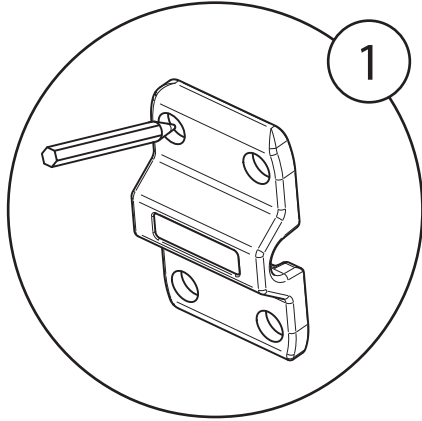


Make sure you can actually fit the chain and lock before committing!

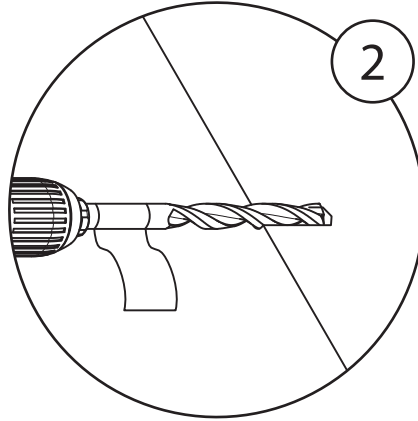


# Fitting Sequence

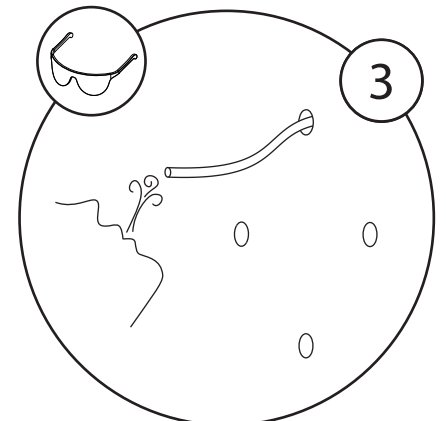
Check the fitting location using page 1.  
This is a **PERMANENT** installation.



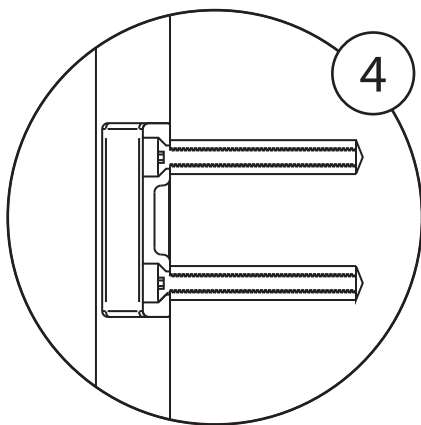
Place the anchor at an appropriate location (see page 1) and mark the holes to drill.



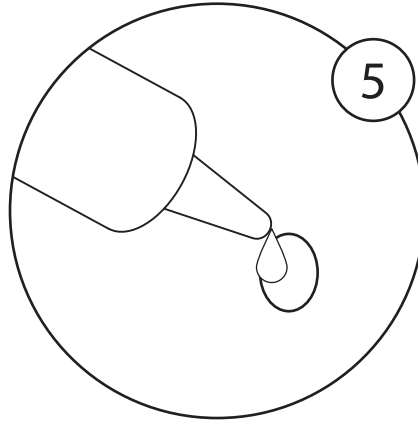
Move the anchor. Drill the holes, until the tape touches the surface (70mm depth). **Do not drill too deep.** If difficult to keep positioned, drill an 8mm pilot hole first.



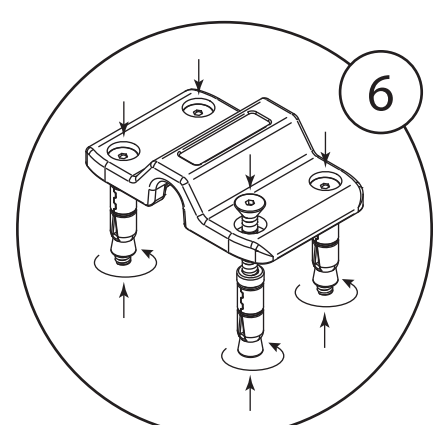
Use the tube to blow dust from the holes and use a vacuum cleaner to clear all dust. **HOLES MUST BE FREE OF DUST.**



Place the anchor over the drilled, cleaned holes, and insert the bolts to check the holes are deep enough.

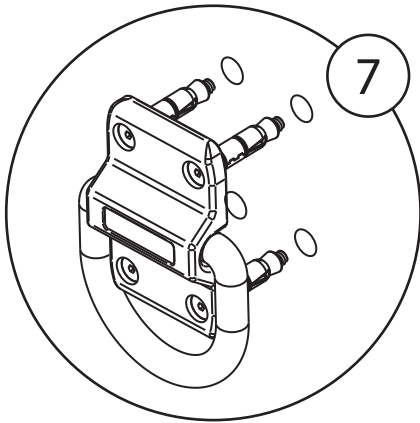


Optionally, for greater strength, add construction glue into drilled holes after checking alignment.

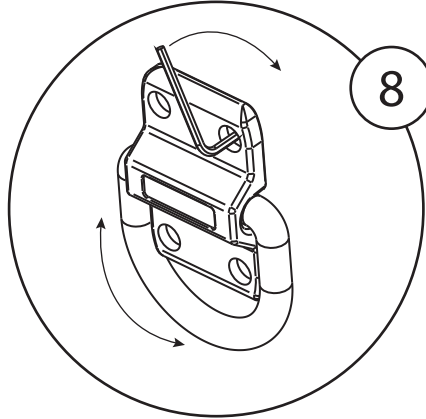


Away from the wall, push all bolts through base plate and **loosely** attach shield anchors.

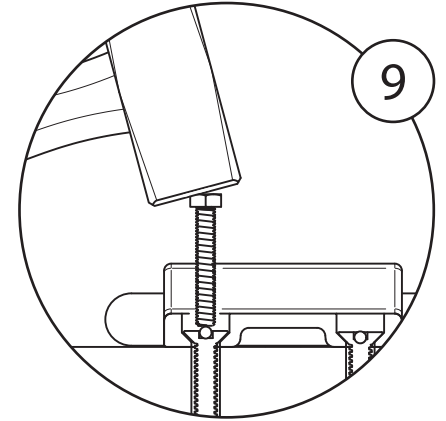
# Fitting Sequence



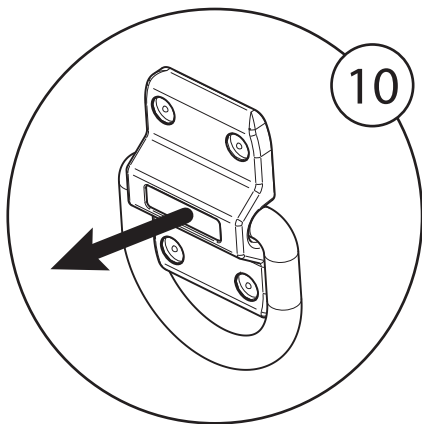
Align and push the anchor  
**PLUS THE D-SHACKLE**  
so the bolts and shield anchors  
go into the drilled holes.



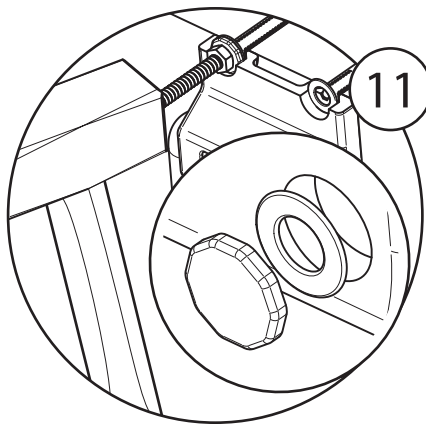
Using the Allen Key (or Hex  
Drive bit with a 1/4" socket),  
tighten all the bolts. Check  
they are fully home and the  
D-Shackle can move.



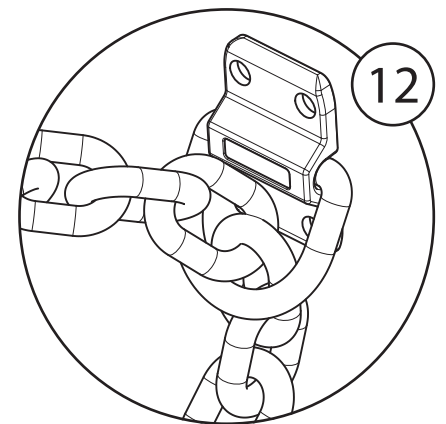
Place ball bearings in the heads.  
Using the smaller M8 bolt as a  
punch, hammer the bearings in.  
This can loosen other bolts so  
check and re-tighten if required.



Pull at the anchor to ensure it is  
fitted securely.



Place the washers and plugs  
over the bolts. Use the M8  
bolt again to hammer each  
plug in securely.



Your Torc Ground Anchor is now  
installed and can be used to  
protect your valuables!