

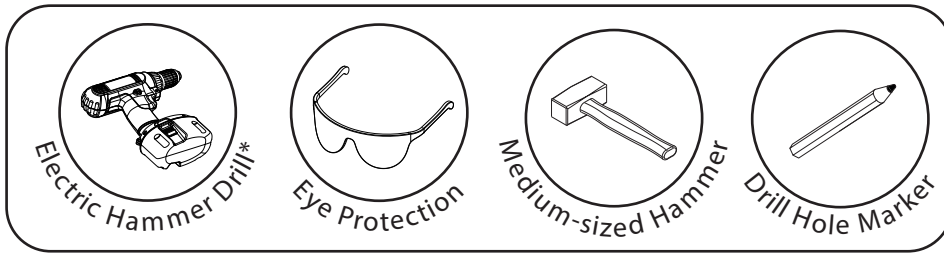


Torc Mega/Maxi Injection Resin – Fitting Overview

Aimed at **experienced/professional installers**

If less familiar with this installation, detailed instructions can be requested from your supplier.

Required Tools

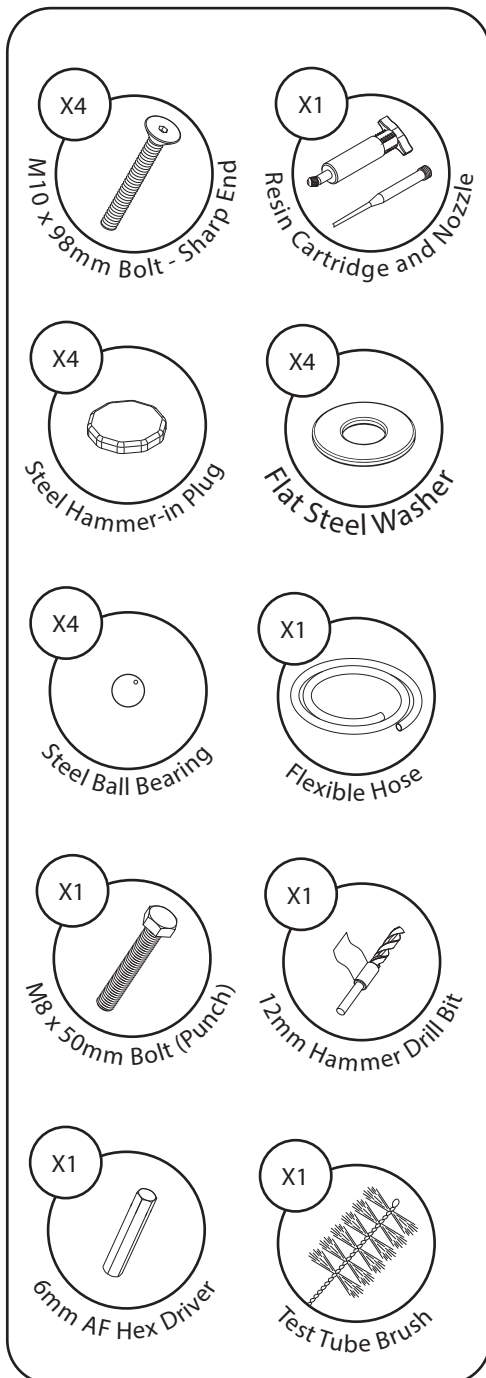


Must be used with an appropriately fitted Sold Secure approved lock and chain.



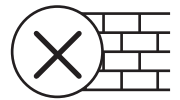
Takes 24 hours to set - Use next day.

Included Parts



Choosing a Surface

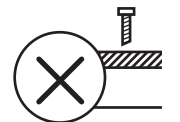
Concrete is stronger than brick.
Brick is stronger than block. We provide other fitting kits for other substrates.



Minimum concrete thickness is 120mm.
We recommend 150mm.



Do not fit the anchor to Tarmac or other soft surfaces, even if there is concrete below.

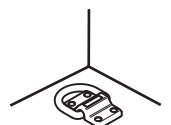


Choosing a Location

Check location is clear of pipes, cables, etc.
We suggest using a pipe/cable detector.



Placing the anchor near a corner or somewhere that restricts access to the anchor makes it harder for criminals.



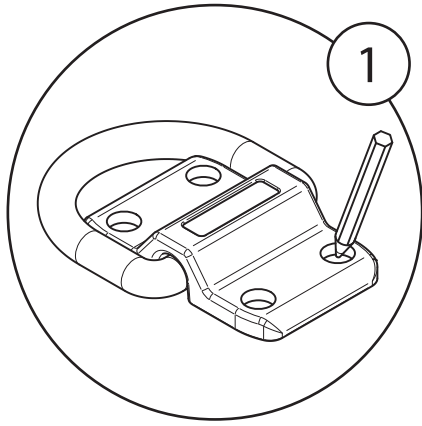
Make sure you can actually fit the chain and lock before committing!



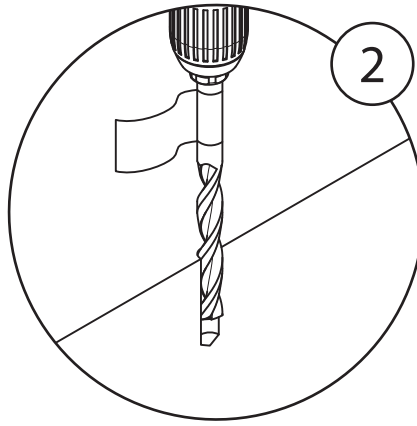
* Must have at least a 12mm chuck capacity (ideally variable speed)

Fitting Sequence

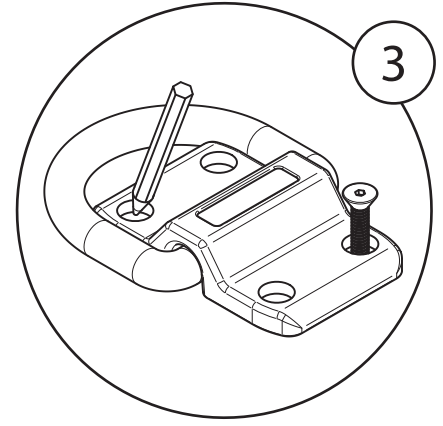
Check the fitting location using page 1.
This is a **PERMANENT** installation.



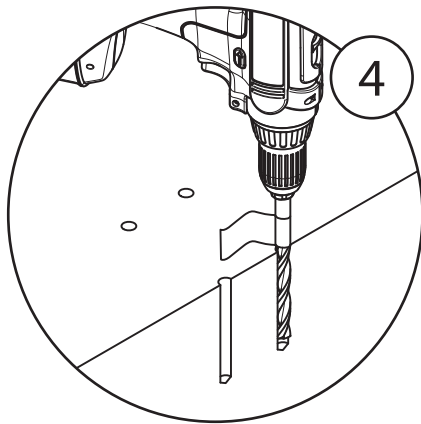
Place the anchor at an appropriate location (see page 1), check the D-Shackle fits, and mark a drilling hole.



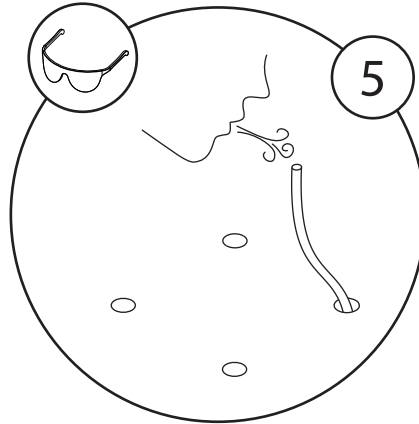
Drill the hole perpendicular to the surface about half way to the tape. Do not drill to the tape yet. If it is difficult to keep the drill positioned, drill an 8mm pilot hole first.



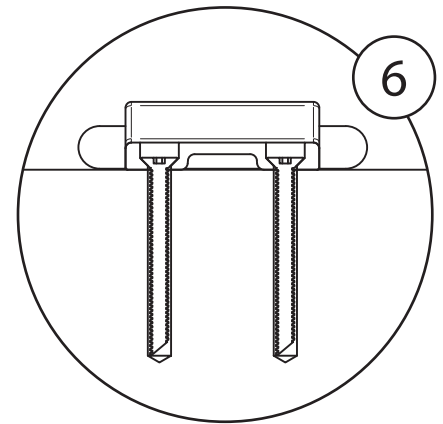
Place a bolt in the drilled hole for stability and mark the diagonally opposite hole. Repeat steps 1 - 3 until all holes are part drilled.



Move the anchor and drill the holes until the tape touches the mounting surface (95mm depth). Do not drill too deep.



Use the tube to blow dust from the holes and use the test tube brush and a vacuum cleaner to clear remaining dust. **HOLE MUST BE FREE OF DUST.**



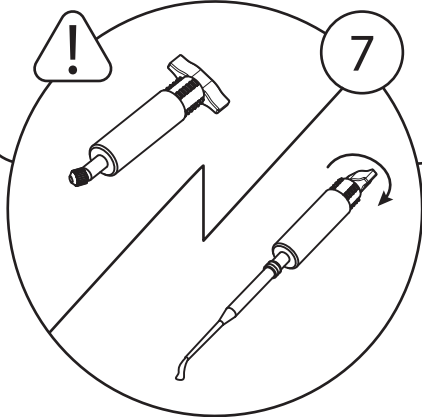
Place the product over the drilled, cleaned holes, and insert the bolts to check the holes are deep enough.

Fitting Sequence

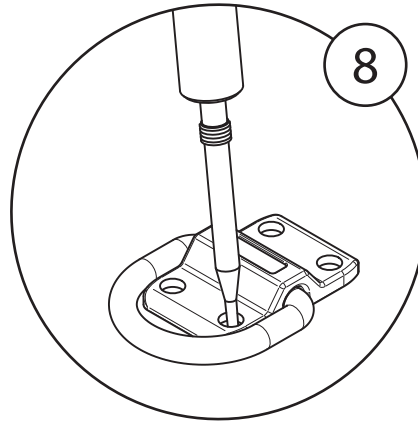
Try to avoid getting resin onto fingers!

You may want to use disposable gloves (not supplied)

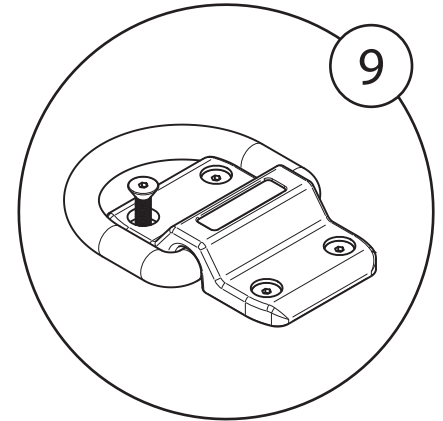
Read the safety and use instructions on the resin applicator.



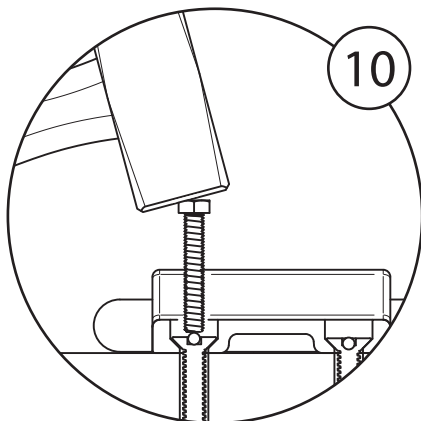
Remove the cap from the resin cartridge and screw on the mixer nozzle. On an unimportant surface, twist the plunger until a consistent grey resin ejects.



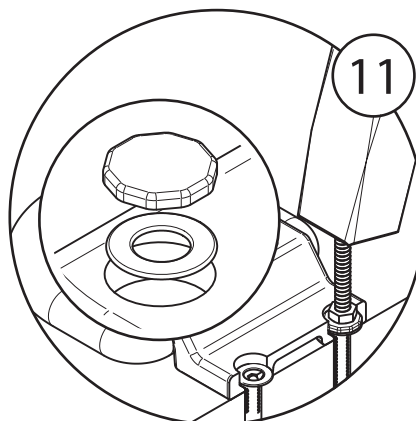
Through the baseplate **AND FITTED D-SHACKLE**, fill approximately 2/3rds of a hole with the resin.



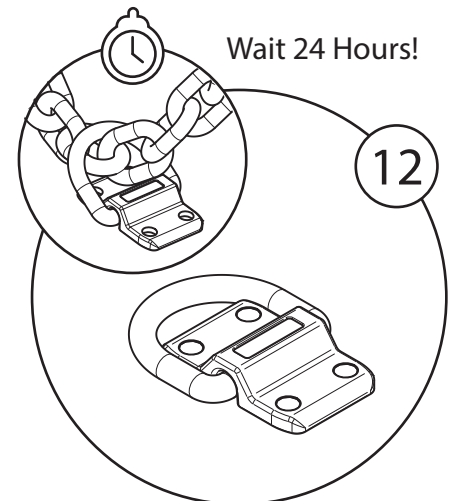
Slowly twist an M10 bolt fully into the hole, wiping away displaced resin. Repeat steps 8 - 9 until all M10 bolts are pushed in completely.



Place ball bearings in the boltheads. Using the smaller M8 bolt as a punch, hammer the bearings in.



Place a washer and then a hammer-in plug in each hole. Use the M8 bolt again to hammer the plugs in firmly.



The Torc Ground Anchor is now installed. Please leave 24 hours before disturbing it or using it so the resin can set fully.